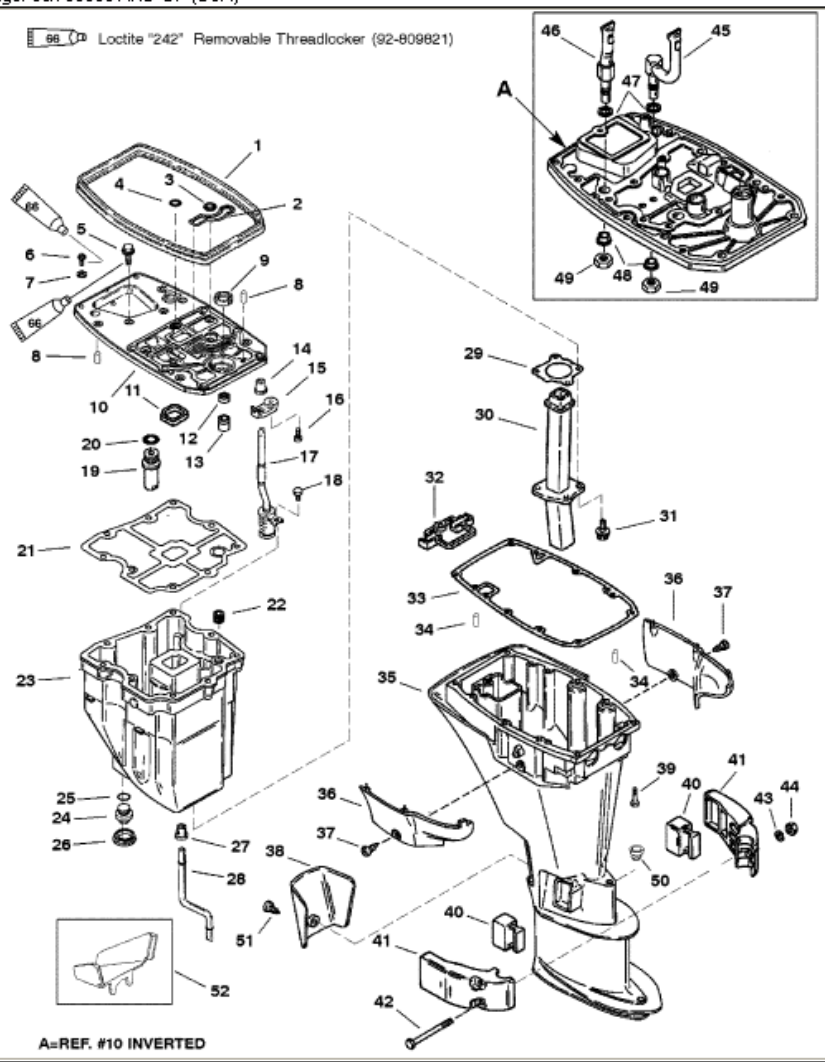


96 Loctite "242" Removable Threadlocker (92-809821)



A=REF. #10 INVERTED

Parts List						
Ref	Class	Part	Description	Qty	Comment	Footnote
1	26	825807	SEAL-RUBBER	1		3,1
2	26	825806	SEAL	1		3
3	26	825805	DAMPER	1		3
4	25	825804	O-RING	1		3
5	10	825773	BOLT	9		
6	10	40011128	SCREW (M6 X 20)	2		
7	12	29245	WASHER	2		
8	17	82364M	PIN-DOWEL	2		
9	26	827406	SEAL-OIL	1		3
10		825574A 2	EXHAUST GUIDE	1		
11		825771	SEAL	1		
12	26	85023	SEAL-OIL	2		
13		827395	HOUSING-SEAL	1		
14		825580	SEAL	1		3
15		825581	GUIDE	1		
16	10	825582	SCREW	1		
17		825766	STRAINER	1		
18	10	825767	BOLT	1		
19		825578A 1	RELIEF VALVE	1		
20	25	825579	O-RING	1		3
21	27	825774 1	GASKET-OIL PAN	1		3
22		825765	SEAL	1		3
23		825764	OIL PAN	1		
24		825769	DRAIN PLUG	1		
25	25	825770	O-RING	1		
26		825768	DAMPER	1		
27	26	827241	SEAL	1		3
28	32	825775	WATER TUBE	1	(SHORT)	
28	32	826035	WATER TUBE	1	(LONG)	
29	27	825828 1	GASKET	1		
30		825772	EXHAUST MANIFOLD	1		
31	10	825773	BOLT	4		
32		825777	COVER	1		
33	27	825778 1	GASKET	1		3
34	17	82364M	PIN-DOWEL	2		
35	1500	825538F 1	HOUSING ASSEMBLY	1	(SHORT-BLACK)	
35	1500	825835F 1	HOUSING ASSEMBLY	1	(LONG-BLACK)	
36		825796F 1	COVER	1	(PORT-BLACK)	
36		825797F 1	COVER	1	(STARBOARD-BLACK)	
37	10	40078 41	SCREW (SELF-TAPPING)	2		
38		825798F 1	COVER OIL DRAIN	1	(BLACK)	